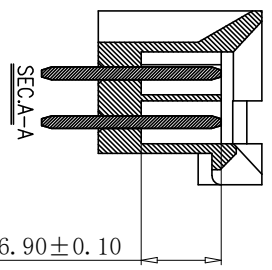
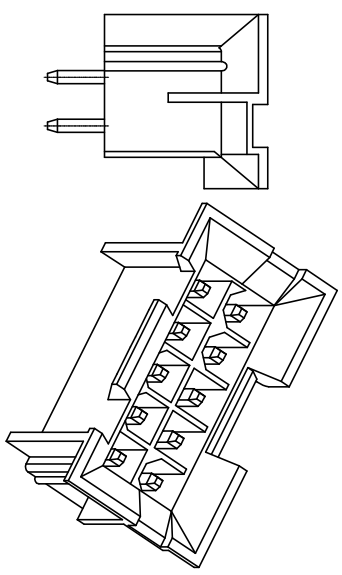
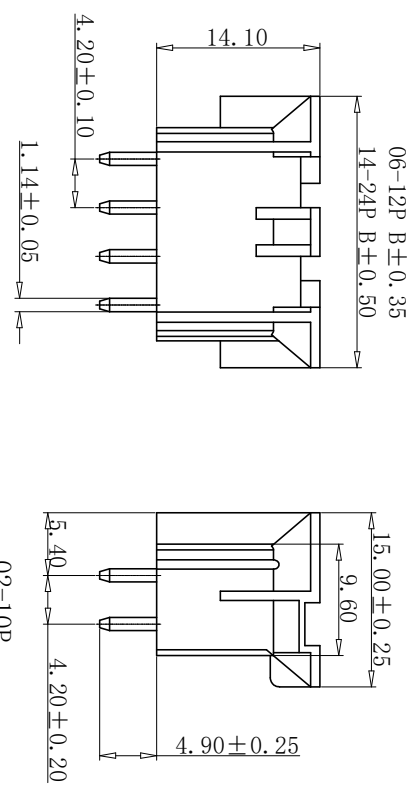
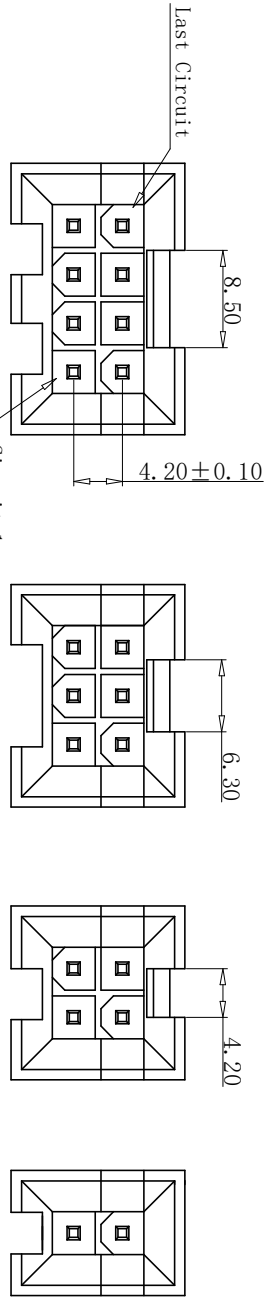
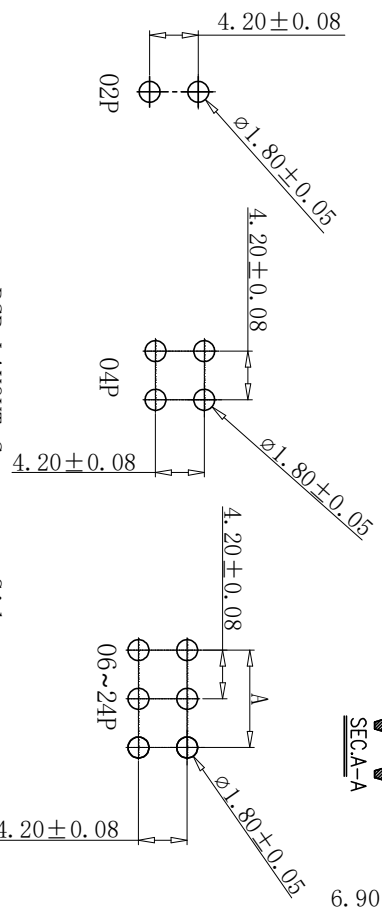


REV.	ECN NO.	DESCRIPTION	DATE	DESIGN
D		调整电气性能描述更新图框	2021.10.25	XUETAO09UO

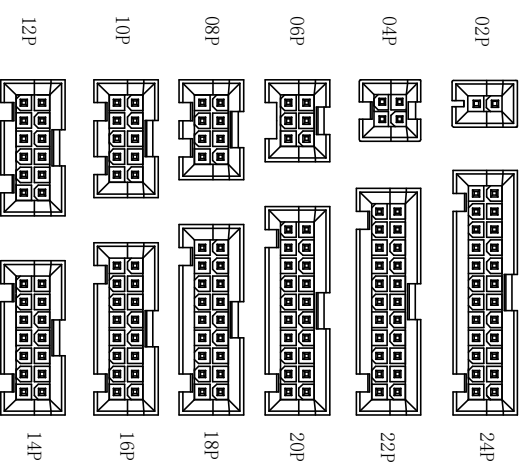


Part No.	Dimensions (mm)	
	A	B
02	10.80	10.80
04	4.20	15.00
06	8.40	19.20
08	12.60	23.40
10	16.80	27.60
12	21.00	31.80
14	25.20	36.00
16	29.40	40.20
18	33.60	44.40
20	37.80	48.60
22	42.00	52.80
24	46.20	57.00

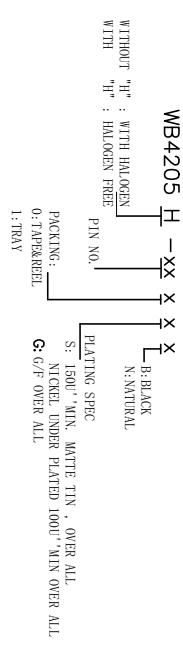


PCB LAYOUT: Component Side
Recommended PCB Thickness 1.78MMAX

CIRCUIT SIZE LAYOUT



- NOTE:
- MATERIAL: SEE BOM
 - SPEC. PLS. REFER TO E058:
 - DIM. MARKED \square SHOULD BE MEASURED BY FAI;
 - DIM. MARKED \square SHOULD BE CONTROLLED BY QC;
 - DIM. MARKED \square SHOULD BE MEASURED TERMLY BY QC;
 - DIM. MARKED \square SHOULD BE ANALYSED TERMLY BY QC;
 - ORDERING INFORMATION: WB4205 H -XX X X X X



2	TERMINAL	~	BRASS
1	HOUSING	1	NYLON66 UL94-V0
NO.	DESCRIPTION	Q'TY.	MATERIAL

一般公差
X: ±0.5 .XX ±0.15
.X ±0.25 .XXX ±0.08
ANGLES ±2°

檢驗尺寸標示
SYMBOLS \square INDICATE CLASSIFICATION DIMENSION
MARK IS CRITICAL DIM.
MARK IS MAJOR DIM.

品名 (TITLE)
4.20MM 90° 喇叭口
WHERE CONNECTOR SERIES

圖號 (PNG NO.)
C-WB4205H-XXXXX

製圖 (DR)
XUETAO09UO

審核 (CHK)
LEO-HH

核准 (APP)
LEO-HH

張數 (SHEET)
1 OF 1

比例 (SCALE)
5:1

單位 (UNITS)
mm

表面處理 (FINISH)

希爾盛精密电子(昆山)有限公司