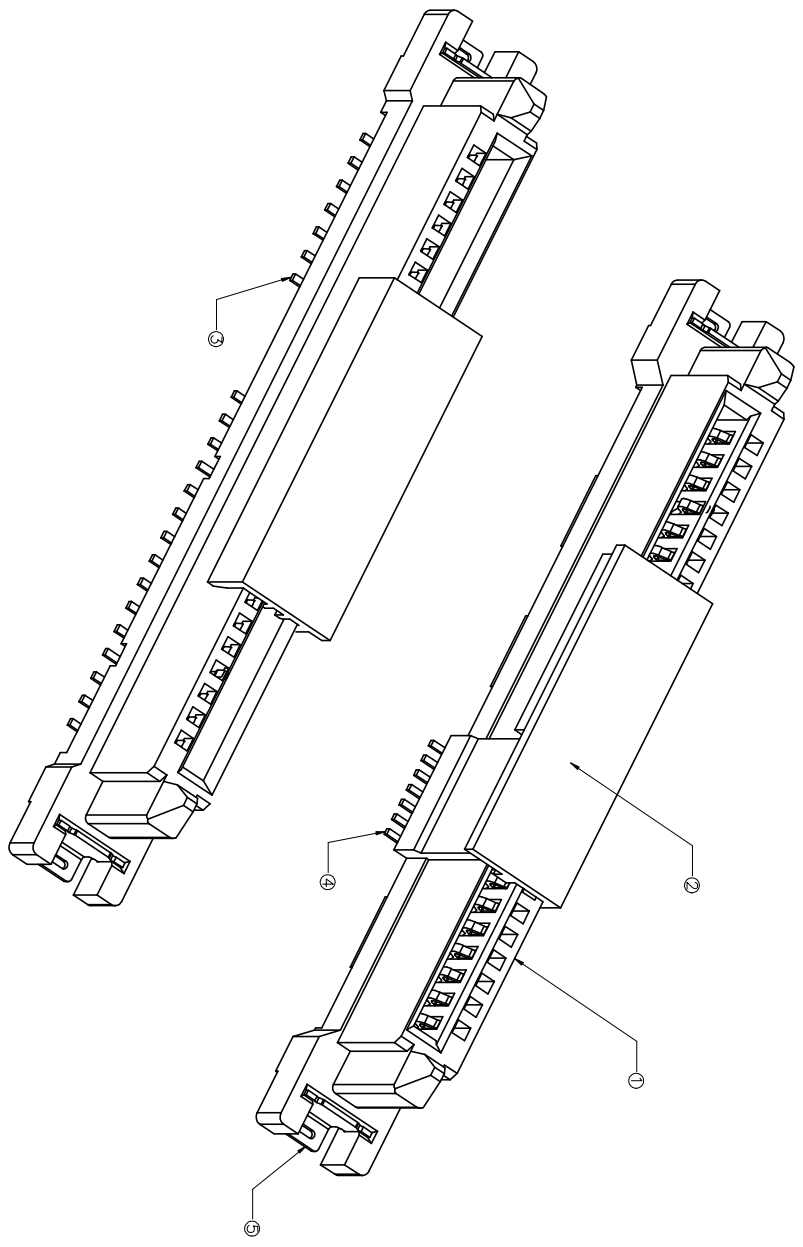
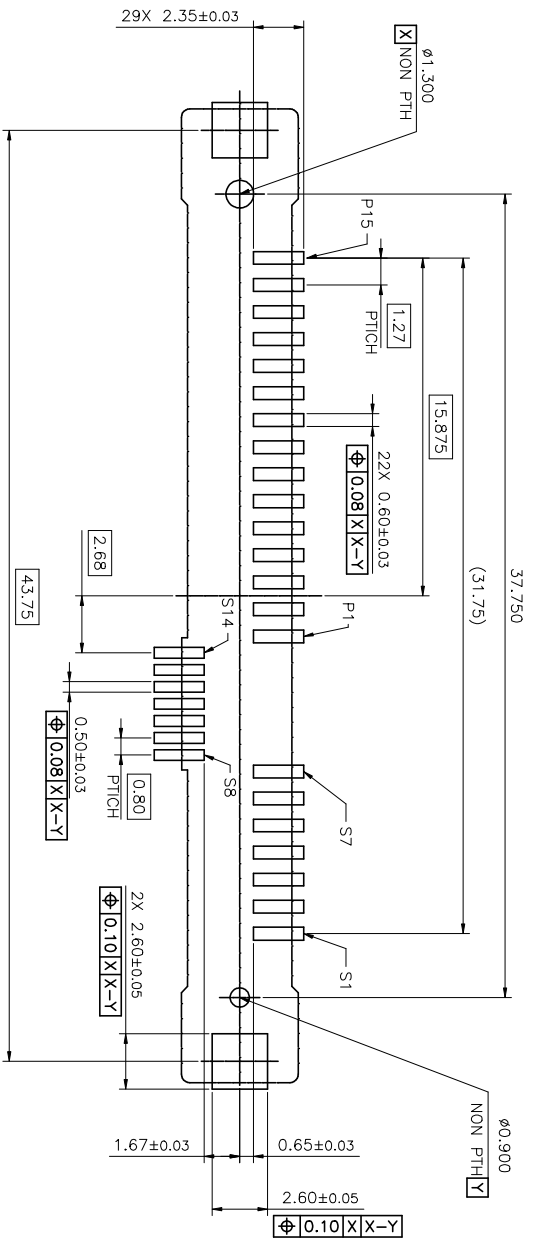


REV.	ECN NO.	DESCRIPTION	DATE	DESIGN
B		调整电气性能描述及更新图框	2021.11.13	XUETAOGUO



NO.	DESCRIPTION	Q'TY.	MATERIAL
1	HOUSING	1	GLASS FILLED LCP UL94-V0 BLACK
2	CAP	1	GLASS FILLED LCP UL94-V0 BLACK
3	PITCH1.27 CONTACT	22	COPPER ALLOY
4	PITCH0.80 CONTACT	7	COPPER ALLOY
5	LATCH	2	COPPER ALLOY

一般公差
TOLERANCES
X +0.25 XXX ±0.08
.X +0.15 .XXX ±0.05
ANGLES 45°

希尔盛精密电子(昆山)有限公司

机械尺寸标示 SYMBOLS ① INDICATE CLASSIFICATION DIMENSION ② MARK IS CRITICAL DIM. ③ MARK IS MAJOR DIM. 表面處理 (FINISH)	品名 (TITLE) SAS VERTICAL TYPE CONN. 圖號 (DWG NO.) C-SA1272H-XXXXXX	製圖 (DR) XUETAOGUO 審核 (CHKD) LEO-HE 核准 (APPD) LEO-HE	張數 (SHEET) 2 OF 2 比例 (SCALE) 5:1 單位 (UNITS) mm	日期 (DATE) 2021.11.13 設計 (DESIGN) XUETAOGUO
---	---	--	---	---